

CAR PARK BASIC JET FANS AZT 450



PRODUCT

Round basic jet fans in a unidirectional version. This range of jet fans has an adjustable outlet and low height. The installation height is only 530 mm.

APPLICATION

These compact and robust jet fans have been developed especially for the use in car parks, small tunnels and service yards. The jet fans have been designed for an optimal capacity, long life span, reliable operation and are service-friendly.

CONSTRUCTION

The fan casing is round with an integrated inlet cone and an adjustable outlet cone. This minimises the inlet loss and provides optimum control of the outlet airflow. The fan has internal guide vanes to improve the aerodynamic efficiency. A wire guard is mounted on the inlet cone.

INSTALLATION

The installation is simple due to an innovative click-click design. Once the base plate is mounted to the ceiling, the fan is simply clicked in position and secured with fasteners.

ZERAX IMPELLER

The impeller consists of a ZerAx hub with aluminium impeller blades in pre-determined blade angles. The impeller is coupled directly onto the motor shaft. All ZerAx fans are statically and dynamically balanced in accordance with VDI 2060 and ISO 21940-11:2016.

Due to the balanced and stable running of the ZerAx fans no additional vibration dampers are necessary.

MOTOR

The motors are two-speed 3x400V or 3x380V, either in 50 or 60Hz versions. Motor protection is IP55 in accordance with IEC 34-5.

ELECTRIC ISOLATION

The jet fans have external terminal boxes.

SURFACE TREATMENT

The fan casing is made from pre-galvanised steel, which can be powder coated optionally in any desired colour.

In standard execution, the jet fans meet the requirements for operation in unheated, low corrosive environments according to DS/EN ISO 12944-2, corrosion category C3.

TEMPERATURE RESISTANCE

The standard operating temperature is from -20 until +55°C.

The fans for are certified for removal of hot smoke according to the EN 12101 part 3 in the classes F200 and F300.

The complete range of jet fans has been high temperature tested according to the table below:

Temp.	200°C	300°C
60 min		✓
120 min	✓	✓

High temperature test classes

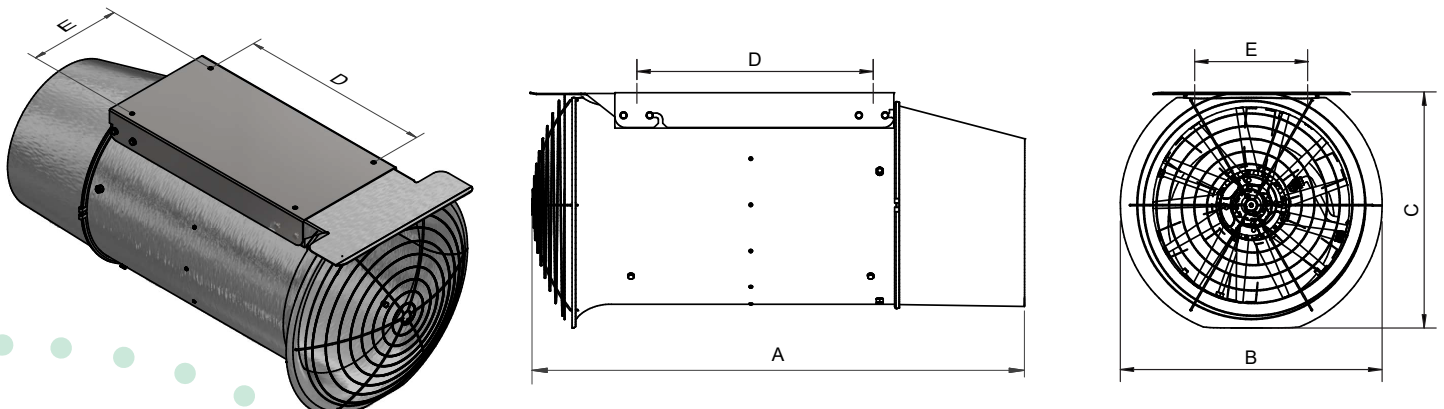
CAR PARK BASIC JET FANS AZT 450

JET FAN		AZT 450	
Execution	-	Unidirectional	
Measured thrust	N	26 / 100	
Sound pressure level *, re. 2×10^{-5} Pa	dB(A)	55 / 74	62 / 77
Electrical connection	V, Hz	3x400V, 50Hz	3x380V, 60Hz

MOTOR DATA (F200120/F30060/Ff300120)			
Installed motor power	kW	0,6 / 2,5	
Nominal current	A	1,9 / 5,8	2,1 / 6,4

TOTAL WEIGHT		
Total weight	kg	70

* Sound pressure level at 3m from the jet fans under the free field conditions at an angle of 45°
 ** Complete jet fan is certified according EN 12101 part 3



DIMENSIONS	A [mm]	B [mm]	C [mm]	D [mm]	E [mm]
AZT 450	1.133	600	540	540	260

Data subject to change