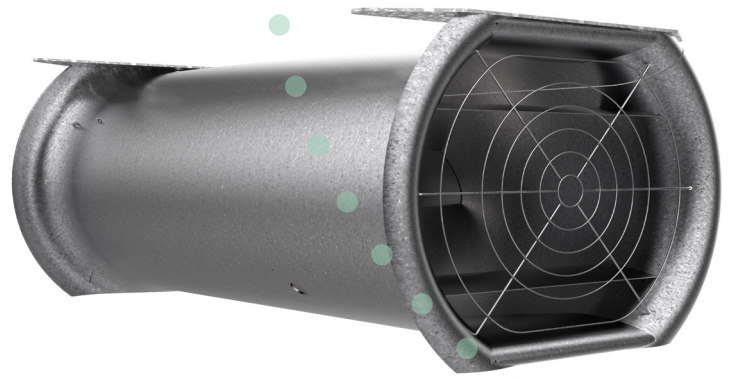


# CAR PARK BASIC JET FANS AUT ART 400



## PRODUCT

Basic jet fans in a unidirectional (AUT) and fully reversible (ART) version. The installation height is 423mm.

## APPLICATION

These compact and robust jet fans have been developed especially for the use in car parks.

The jet fans have been designed for an optimal capacity, long life span and very reliable operation.

## CONSTRUCTION

The jet fan consists of a round fan casing with an inlet cone on both sides to minimize the inlet losses.

The fan has been constructed with guide vanes for an optimal aerodynamic efficiency.

On both sides internal wire guards are mounted. With a special internal deflector the air stream flows in the desired direction.

On the reversible version internal deflectors are mounted on both sides of the fan.

As standard, the jet fans are equipped with mounting feet for direct mounting to the ceiling or wall.

## NOVAX IMPELLER

The impeller consists of a Novax hub in which special casted aluminium impeller blades have been mounted at a pre-determined pitch angle.

The impeller is coupled directly onto the motor shaft.

All Novax fans are statically and dynamically balanced in accordance with VDI 2060, ISO 1940 Class Q 6.3.

## MOTOR

The motor is two-speed 3x400V, 50Hz or 3x380V, 60Hz for direct start. Motor protection min. IP55 in accordance with IEC 34-5. Insulation class F or H depending on temperature protection.

## ELECTRIC ISOLATION

The jet fans have external terminal boxes.

## SURFACE TREATMENT

As standard, all jet fans are delivered in a galvanized execution. A powder coating in any desired color is available as an option. In the standard execution the jet fans meet the requirements for operation in unheated, low corrosive environments according to DS/EN ISO 12944-2, corrosion category C3.

## TEMPERATURE RESISTANCE

The standard operating temperature is from -20°C until +40°C.

Jet fans for hot smoke removal are certified according to the EN 12101 part 3 in the classes F200/F300/F400.

Class F400 is only available for 50Hz.

The complete range of jet fans has been high temperature tested according to the table below:

Temp.	200°C	300°C	400°C
60 min		x	
120 min	x	x	x

High temperature test classes

# CAR PARK BASIC JET FANS AUT ART 400

JET FAN		AUT 400		ART 400	
Execution	-	Unidirectional		100% reversible	
Thrust	N	14 / 53		13 / 50	
Sound pressure level *, re. $2 \times 10^{-5}$ Pa	dB(A)	54 / 72		56 / 75	
Electrical connection	V, Hz	3x400V, 50Hz	3x380V, 60Hz	3x400V, 50Hz	3x380V, 60Hz

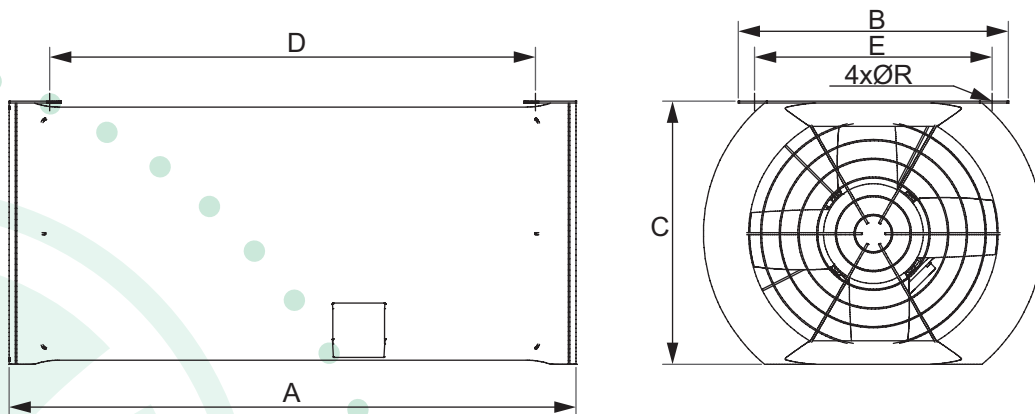
MOTOR DATA (STANDARD TEMPERATURE)					
Installed motor power	kW	0,3 / 1,1	0,3 / 1,1	0,3 / 1,3	0,3 / 1,3
Nominal current	A	0,8 / 2,7	0,9 / 2,7	0,9 / 3,1	1,0 / 3,2

MOTOR DATA (F200/F300)					
Installed motor power	kW	0,3 / 1,1	0,3 / 1,1	0,3 / 1,3	0,3 / 1,3
Nominal current	A	0,6 / 2,5	0,7 / 2,7	0,7 / 2,9	0,8 / 3,2

MOTOR DATA (F400)					
Installed motor power	kW	0,3 / 1,1	-	0,3 / 1,3	-
Nominal current	A	0,6 / 2,5	-	0,7 / 2,9	-

TOTAL WEIGHT					
Total weight	kg	63		63	

\* Sound pressure level at 3m from the jet fans under the free field conditions at an angle of 45°  
 \*\* Complete jet fan is certified according EN 12101 part 3



DIMENSIONS	A [mm]	B [mm]	C [mm]	D [mm]	E [mm]
AUT 400	854	522	423	779	470
ART 400	854	522	423	779	470

Data subject to change